



NEW

ULTRA M5

SLIT LAMP SERIES

The **Marco Ultra M Series** is an inspiring orchestration of the Ultra Optics pedigree, elegant and intelligent design, progressive engineering, and functional flexibility. Never have more relevant design enhancements been assembled in a single slit lamp series.

Experience the uncompromised quality, control, and reliability of the Ultra M Series embodied in the most contemporary and functionally empowering slit lamp design ever.

We've reimagined better...and beyond

For all things Ultra:
www.MARCO.com
800.847.5274



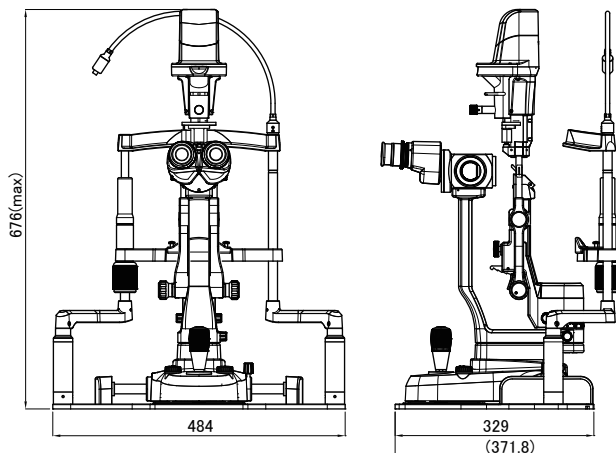
ULTRA M5 Specifications

20 Years ago, Marco changed the boundaries of conventional slit lamp design and performance with the original Ultra Series. Today, the **Ultra M Series** introduces a new era of diagnostic empowerment. Marco has again established the latest standard in slit lamp examinations.

- Single-element, high-luminance LED illumination
- 5-power Parallel / Galilean optics
- 0-14mm continuously adjustable aperture
- Patented, built-in Background Illumination system for digital imaging
- Completely integrated (cable free) low voltage electronic system
- Expanded chin rest design for easier patient access
- Cobalt blue, Red-free, Yellow, Blue LED correction filters
- Self-contained headrest & baseplate assembly

| | |
|--|---|
| Type Binocular Stereomicroscope | Parallel (Galilean) |
| Light Source | LED |
| Light Source Configuration | Tower with Tilt |
| Background Illumination | Yes |
| Light Filters | Blue, Red-free, Blue LED Correction, Yellow |
| Slit Width | 0-14mm continuous variable |
| Aperture Diaphragm Diameter (Ø) | 14, 10, 5, 3, 2, 1, 0.2mm |
| Total # Power Magnifications | 5 (6.3x, 10x, 16x, 25x, 40x) |
| Magnification Change | 5 Position Rotating Drum |
| Eye Pieces | 16x wide-field, high-eyepoint |
| Real Field of View (Ø) | 35.9mm, 23.3mm, 14mm, 8.8mm, 5.5mm |
| Interpupillary Adjustment | 52-82mm |
| Diopter Adjustment Range | (+/-) 7 diopters |
| Horizontal Coarse Movement | 105mm |
| Horizontal Fine Movement | 15mm |
| Vertical Movement | 30mm |
| Fixation Light Source | Red LED on Flexible Arm |
| Large Patient Chin Rest | Yes |
| Chinrest Elevation | 85mm |
| Power Supply | AC100V-240V (+/-10%) |
| Power Consumption | DC5V 2A |
| Weight | 12.5Kg |

Dimension Illustrations:



676mm h x 484mm w (front)
676mm h x 329mm w (side)
[420mm to optics]

A complete line of custom Ultra M5 accessories are also available.



www.MARCO.com
800.847.5274